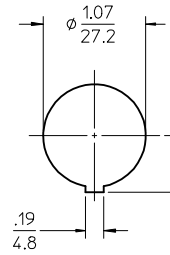
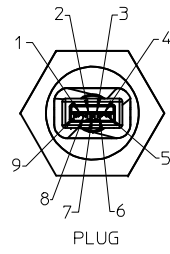
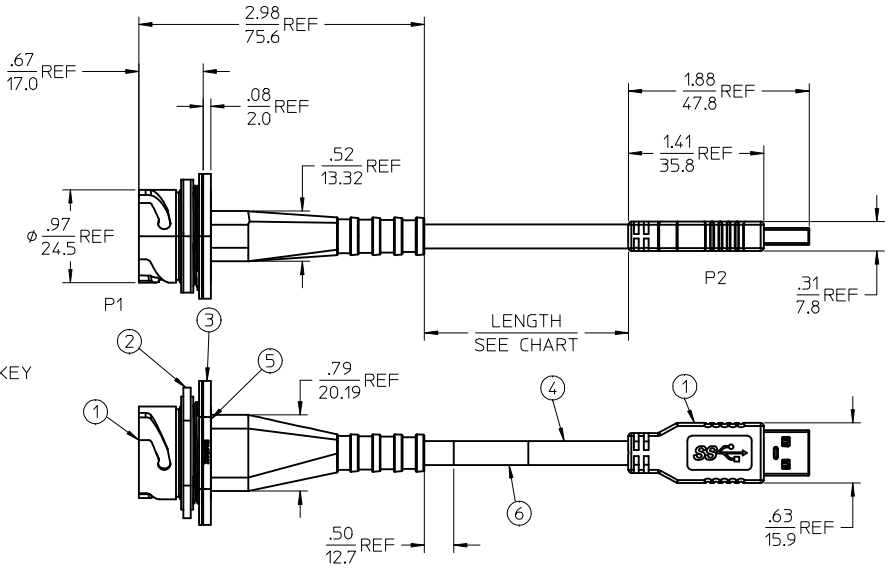
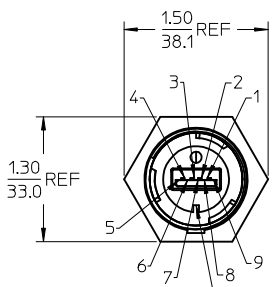
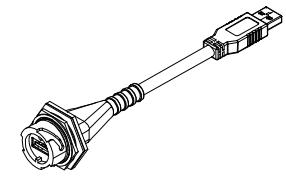


MATERIAL NO.	LENGTH
847330003	6.00 IN +.47 -0 (152.0mm +12mm-0)
847330004	31.88 IN +1.00-0 (810.0mm +25.4mm-0)
847330005	51.57 IN +1.00-0 (1310.0mm +25.4mm-0)
847330006	81.89 IN +1.57-0 (2080.0mm +40.0mm-0)
847330007	131.10 IN +3.15-0 (3330.0mm +80.0mm-0)
847330008	196.90 IN +3.94-0 (5000mm +100mm-0)
847330009	118.11 IN +3.15 -0 (3000mm +80.mm-0)
847330011	3.00 IN +.47 -0 (76.2mm +12mm-0)
847330020	12.00 IN +1.0 -0 (304.8mm +25.4mm-0)



PIN OUT

P1	WIRE COLOR	FUNCTION	P2
1	RED	VBUS	1
2	WHITE	D-	2
3	GREEN	D+	3
4	BLACK	GND	4
5	BLUE	StdA_SSRX-	5
6	YELLOW	StdA_SSRX+	6
7	DRAIN WIRE		7
8	PURPLE	Std_SSTX-	8
9	ORANGE	Std_SSTX+	9

SHELL BRAID SHELL

NOTES:

- MATERIAL: SEE TABLE
- FINISHES: SEE TABLE
- CABLES:

A) CABLE FOR ASSEMBLIES ≤0.8M(800mm) LG,
 OUTER JACKET: PVC, φ5.50±0.3, BLACK
 (2) 28AWG SHIELDED TWISTED PAIRS WITH ALUMINUM/MYLAR SHIELD WITH STRANDED TINNED COPPER DRAIN WIRE
 (1) 28AWG SHIELDED TWISTED PAIR WITH ALUMINUM SHIELD,
 (2) 28AWG INSULATED CONDUCTORS, STRANDED, TINNED COPPER
 CABLE SHIELD: BRAIDED TINNED COPPER WIRE
 CABLE: UL2725 FILE: E164571

B) CABLE FOR ASSEMBLIES >0.8M(800mm) LG,
 OUTER JACKET: PVC, φ6.50±0.3, BLACK
 (2) 26AWG SHIELDED TWISTED PAIRS WITH ALUMINUM/MYLAR SHIELD WITH STRANDED TINNED COPPER DRAIN WIRE
 (1) 28AWG SHIELDED TWISTED PAIR WITH ALUMINUM/MYLAR SHIELD
 (2) 22AWG CONDUCTORS STRANDED TINNED COPPER
 CABLE SHIELD: BRAIDED TINNED COPPER WIRE
 CABLE: UL2725 FILE: E164571

- CABLE TEMPERATURE: 80°C, VOLTAGE: 30V & FLAME RATING: VW-1 RATING
- CABLE LENGTHS GREATER THAN USB3.0 SPECIFICATION SHALL BE END USER QUALIFIED IN APPLICATION.
- CONNECTOR MEETS USB3.0 SPECIFICATION
- CONNECTOR TESTED FOR CONTINUITY
- TYPE A CONNECTOR:
 SHELL: PHOSPHOR BRONZE, Ni PLATED
 CONTACTS: PHOSPHOR BRONZE, GOLD PLATED 30MNCES MIN. OVER NICKEL
- RECEPTACLE MATES WITH MOLEX USB3.0 CABLE PLUG SERIES 84734
- RECEPTACLE CONNECTOR MATES WITH MOLEX DUST CAP 847000003
- RECEPTACLE CONNECTOR IS RATED IP67 WHEN MATED TO MOLEX DUST CAP OR MOLEX MATING CONNECTOR
- ASSEMBLY IS RoHS COMPLIANT

ITEM	QTY.	DESCRIPTION	MATERIAL	FINISH
6	1	PRODUCT LABEL	VINYL	YELLOW
5	A/R	POTTING COMPOUND	EPOXY	BLACK
4	1	USB3.0 TYPE-A TO TYPE-A CABLE, SHIELDED	AS NOTED	BLACK
3	1	PANEL GASKET	NEOPRENE	BLACK
2	1	LOCKNUT	PBT, UL-94V-0	BLACK
1	1	RECEPTACLE HOUSING TO PLUG OVERMOLD	PBT/PVC	BLACK

REV. NOTES	QUALITY SYMBOLS
EC NO: IPG2015-0592	▽=0
DRWING:GUSTAFSON 2014/12/15	▽=0
CHKD:BRUPERT 2015/01/30	
APPR:WOODMAN 2015/05/12	

GENERAL TOLERANCES (UNLESS SPECIFIED)	
4 PLACES	± .005
3 PLACES	± .005
2 PLACES	± 0.13 ± .010
1 PLACE	± 0.25 ± .020
0 PLACE	± .005
ANGULAR ± .5 °	
DRAFT WHERE APPLICABLE MUST REMAIN WITHIN DIMENSIONS	

DIMENSION STYLE	
IN/MM	
DRAWN BY	DATE
BRUPERT	2013/01/16
CHECKED BY	DATE
APPROVED BY	DATE
BWOODMAN	2013/08/26
MATERIAL NO.	
SEE CHART	
SIZE	C

SCALE NTS	DESIGN UNITS INCH	THIRD ANGLE PROJECTION
TITLE		
USB3.0 TYPE-A RECEPT TO USB3.0 TYPE-A PLUG		
molex		
DOCUMENT NO.	SHEET NO.	
SD-84733-001	1 OF 1	
THIS DRAWING CONTAINS INFORMATION THAT IS PROPRIETARY TO MOLEX INCORPORATED AND SHOULD NOT BE USED WITHOUT WRITTEN PERMISSION		