



## 7.3 mΩ, 9 A GreenFET 3 Load Switch with Discharge

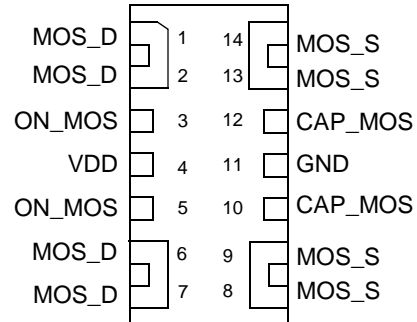
### General Description

The SLG59M1568V is designed for load switching application. The part comes with one 9 A rated MOSFET switched on by an ON control pin. MOSFET turn on time is independently adjusted by an external capacitor.

### Features

- One 9 A independent MOSFET
- Integrated VGS Charge Pump
- Internal discharge for gate and source
- User selectable ramp control by external capacitor
- Protected by thermal shutdown with current limit
- Pb-Free / RoHS Compliant
- Halogen-Free
- STDFN 14L, 1 x 3 x 0.55 mm

### Pin Configuration

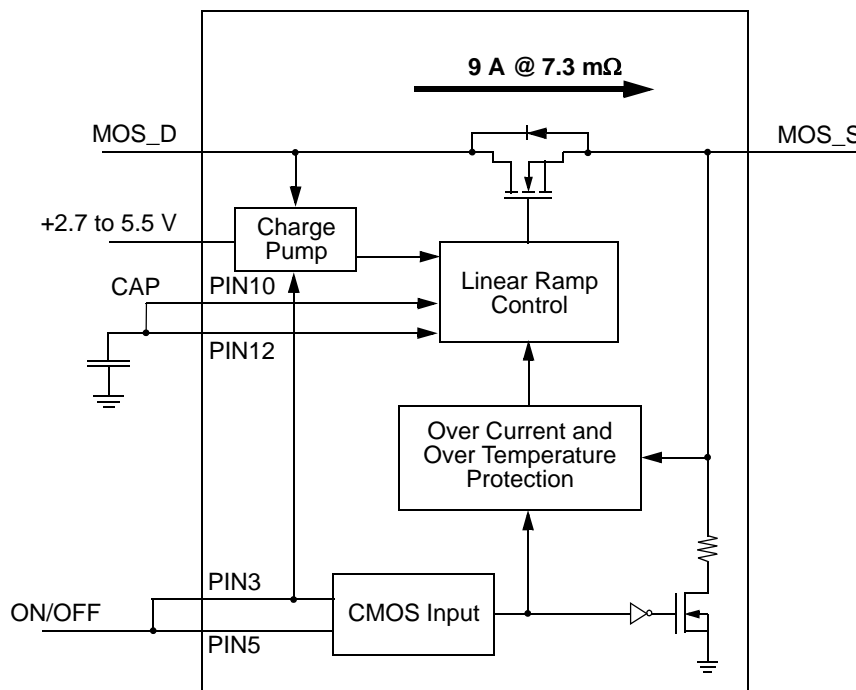


14-pin STDFN (Top View)

### Target Applications

- Consumer Electronics
  - Portable: Tablets, Notebooks
  - PCs and PC peripherals
- Commercial and Industrial Electronics
  - Printers
  - Servers
  - Embedded PCs
  - Data Communications Equipment

### Block Diagram





### Pin Description

Pin #	Pin Name	Type	Pin Description
1	MOS_D	MOSFET	Drain of MOSFET
2	MOS_D	MOSFET	Drain of MOSFET
3	ON_MOS	Input	Turns on MOS (4 M $\Omega$ pull down resistor). Tied to Pin 5 on PCB.
4	VDD	VDD	+5VDD Power
5	ON_MOS	Input	Turns on MOS (4 M $\Omega$ pull down resistor). Tied to Pin 3 on PCB.
6	MOS_D	MOSFET	Drain of MOSFET
7	MOS_D	MOSFET	Drain of MOSFET
8	MOS_S	MOSFET	Source of MOSFET
9	MOS_S	MOSFET	Source of MOSFET
10	CAP_MOS	Input	Sets ramp and turn on time for MOSFET. Tied to Pin 12 on PCB.
11	GND	GND	Ground
12	CAP_MOS	Input	Sets ramp and turn on time for MOSFET. Tied to Pin 10 on PCB.
13	MOS_S	MOSFET	Source of MOSFET
14	MOS_S	MOSFET	Source of MOSFET

### Ordering Information

Part Number	Type	Production Flow
SLG59M1568V	STDFN 14L	Industrial, -40 °C to 85 °C
SLG59M1568VTR	STDFN 14L (Tape and Reel)	Industrial, -40 °C to 85 °C



## Absolute Maximum Ratings

Parameter	Description	Conditions	Min.	Typ.	Max.	Unit
$V_D$	Power Supply		--	--	6	V
$T_S$	Storage Temperature		-65	--	150	°C
$ESD_{HBM}$	ESD Protection	Human Body Model	2000	--	--	V
$W_{DIS}$	Package Power Dissipation		--	--	1.2	W
$ID_{S_{MAX}}$	Max Operating Current				9	A
MOSFET $ID_{S_{PK}}$	Peak Current from Drain to Source	For no more than 10 continuous seconds out of every 100 seconds	--	--	12	A

Note: Stresses greater than those listed under "Absolute Maximum Ratings" may cause permanent damage to the device. This is a stress rating only and functional operation of the device at these or any other conditions above those indicated in the operational sections of this specification is not implied. Exposure to absolute maximum rating conditions for extended periods may affect reliability.

## Electrical Characteristics

$T_A = -40\text{ °C}$  to  $85\text{ °C}$  (unless otherwise stated)

Parameter	Description	Conditions	Min.	Typ.	Max.	Unit
$V_{DD}$	Power Supply Voltage		2.5	--	5.5	V
$I_{DD}$	Power Supply Current when OFF		--	0.1	1	$\mu\text{A}$
	Power Supply Current ON_MOS_1 & ON_MOS_2 (Steady State)		--	50	75	$\mu\text{A}$
$R_{DS_{ON}}$	ON Resistance	$T_A\ 25\text{ °C}$ MOSFET @100 mA	--	7.3	9	$\text{m}\Omega$
		$T_A\ 70\text{ °C}$ MOSFET @100 mA	--	8	11	$\text{m}\Omega$
		$T_A\ 85\text{ °C}$ MOSFET @100 mA			8.5	11.5
MOSFET $ID_S$	Current from Drain to Source for each MOSFET	Continuous	--	--	9	A
$V_D$	Drain Voltage		1.0	5.0	$V_{DD}$	V
$T_{ON\_Delay}$	ON pin Delay Time	50% ON to Ramp Begin	0	300	500	$\mu\text{s}$
$T_{Total\_ON}$	Total Turn On Time	50% ON to 90% $V_S$	Configurable <sup>1</sup>			ms
		Example: CAP (Pin 10 & 12) share a single 4nF capacitor, $V_{DD} = V_D = 5\text{ V}$ , Source_Cap = 10 $\mu\text{F}$ , $R_L = 20\ \Omega$	--	1.1	--	ms
$T_{SLEWRATE}$	Slew Rate	10% $V_S$ to 90% $V_S$	Configurable <sup>1</sup>			V/ms
		Example: CAP (Pin 10 & 12) share a single 4nF capacitor, $V_{DD} = V_D = 5\text{ V}$ , Source_Cap = 10 $\mu\text{F}$ , $R_L = 20\ \Omega$	--	6.0	--	V/ms
$CAP_{SOURCE}$	Source Cap	Source to GND	--	--	1000	$\mu\text{F}$
$R_{DIS}$	Discharge Resistance		100	210	300	$\Omega$
ON_ $V_{IH}$	High Input Voltage on ON pin		0.85	--	$V_{DD}$	V
ON_ $V_{IL}$	Low Input Voltage on ON pin		-0.3	0	0.3	V
$I_{LIMIT}$	Active Current Limit	MOSFET will automatically limit current when $V_S > 250\text{ mV}$	--	12.0	--	A
	Short Circuit Current Limit	MOSFET will automatically limit current when $V_S < 250\text{ mV}$	--	0.5	--	A
$THERM_{ON}$	Thermal shutoff turn-on temperature		--	125	--	°C
$THERM_{OFF}$	Thermal shutoff turn-off temperature		--	100	--	°C



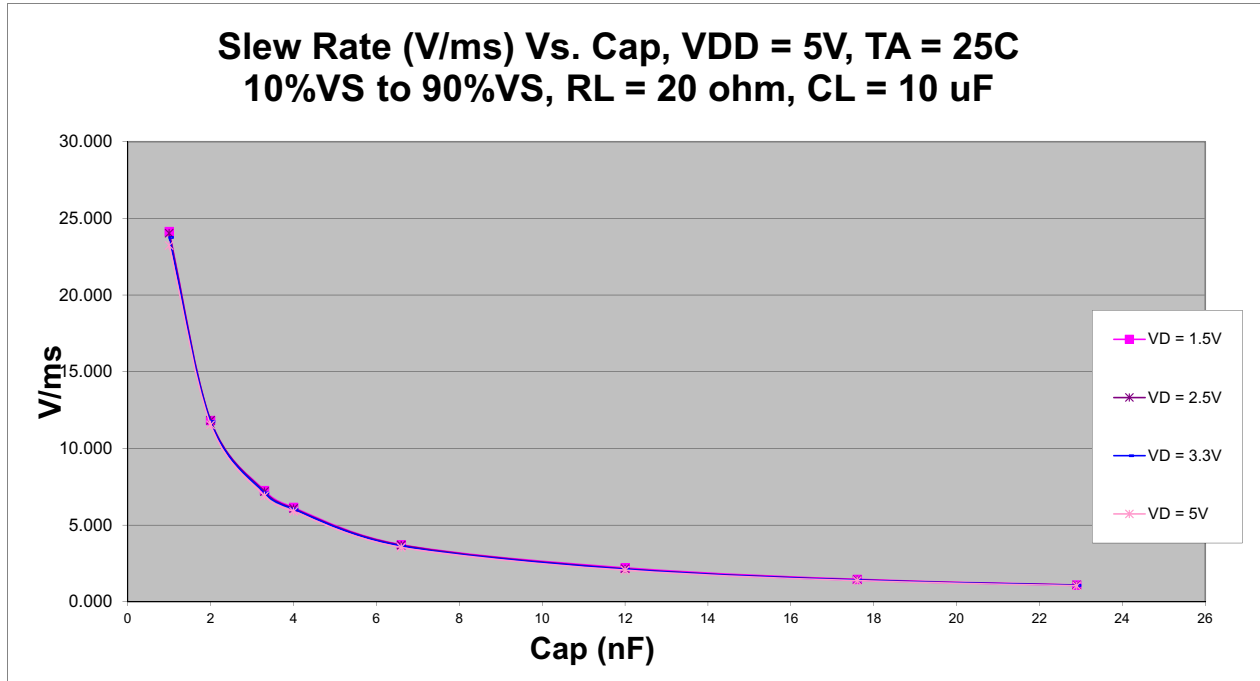
$T_A = -40\text{ }^\circ\text{C}$  to  $85\text{ }^\circ\text{C}$  (unless otherwise stated)

Parameter	Description	Conditions	Min.	Typ.	Max.	Unit
THERM <sub>TIME</sub>	Thermal shutoff time		--	--	1	ms
T <sub>OFF_Delay</sub>	OFF Delay Time	50% ON to V <sub>S</sub> Fall, V <sub>DD</sub> = V <sub>D</sub> = 5 V	--	--	15	μs

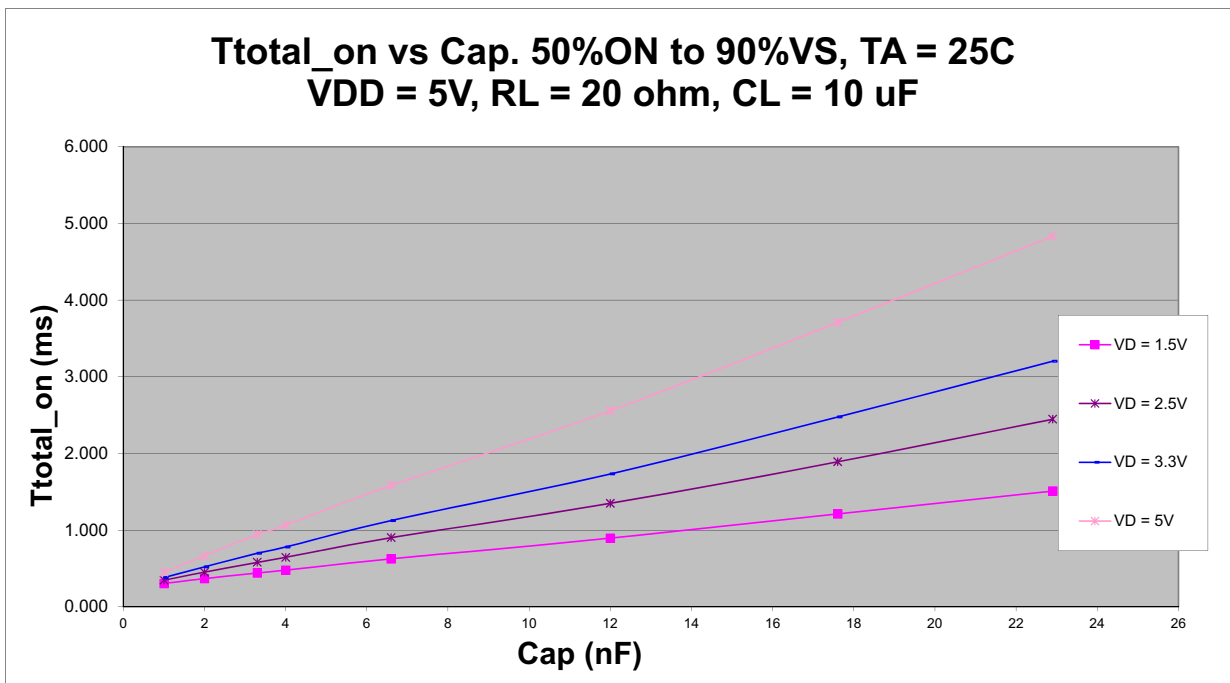
Notes:  
1. Refer to table for configuration details.



T<sub>SLEW</sub> vs. CAP

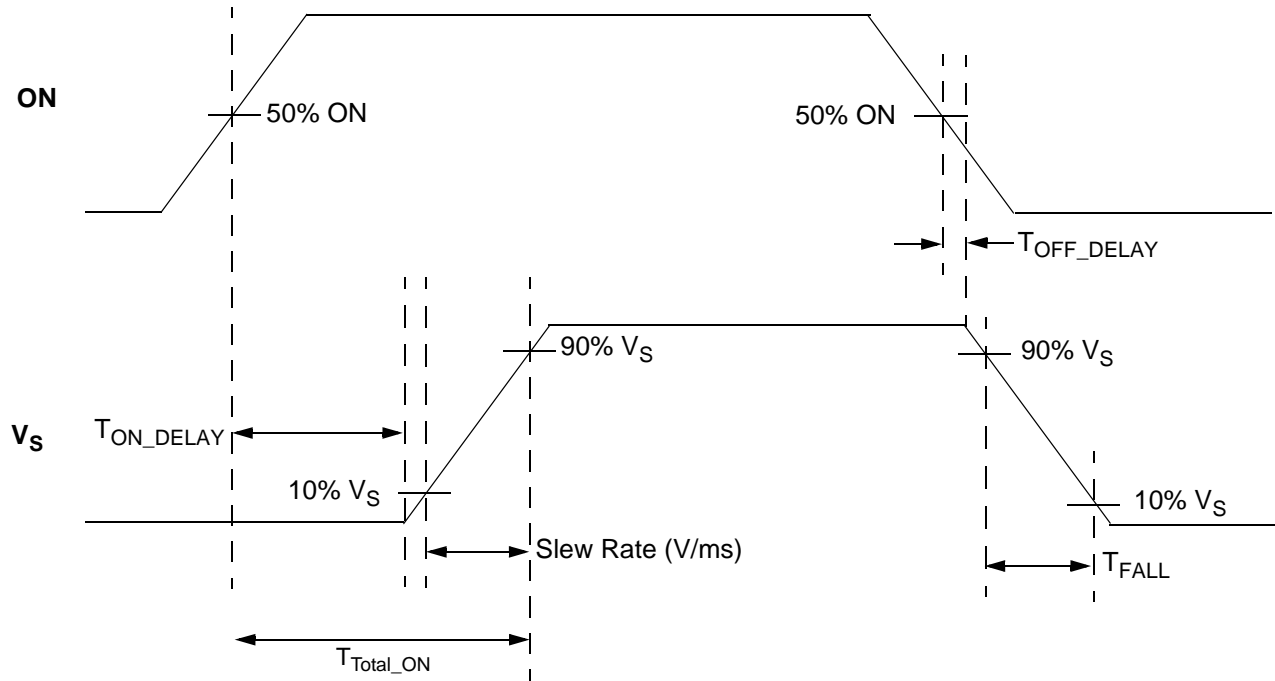


T<sub>TOTAL\_ON</sub> vs. CAP





### $T_{Total\_ON}$ , $T_{ON\_Delay}$ and Slew Rate Measurement





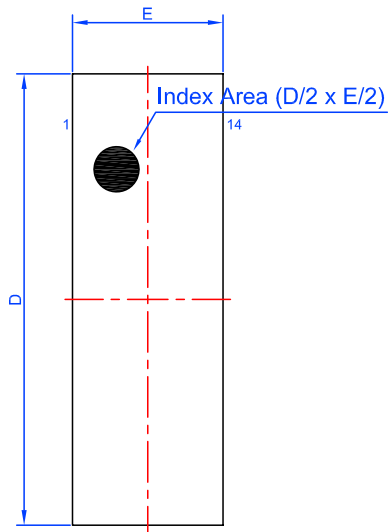
Package Top Marking System Definition



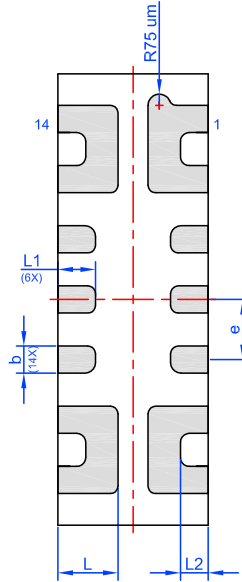


**Package Drawing and Dimensions**

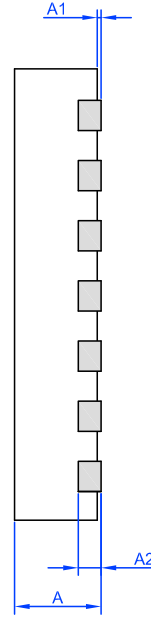
14 Lead STDFN Package 1 mm x 3 mm (Fused Lead)



Top View



BTM View



SIDE View

Unit: mm

Symbol	Min	Nom.	Max	Symbol	Min	Nom.	Max
A	0.50	0.55	0.60	D	2.95	3.00	3.05
A1	0.005	-	0.050	E	0.95	1.00	1.05
A2	0.10	0.15	0.20	L	0.35	0.40	0.45
b	0.13	0.18	0.23	L1	0.20	0.25	0.30
e	0.40 BSC			L2	0.06	0.11	0.16



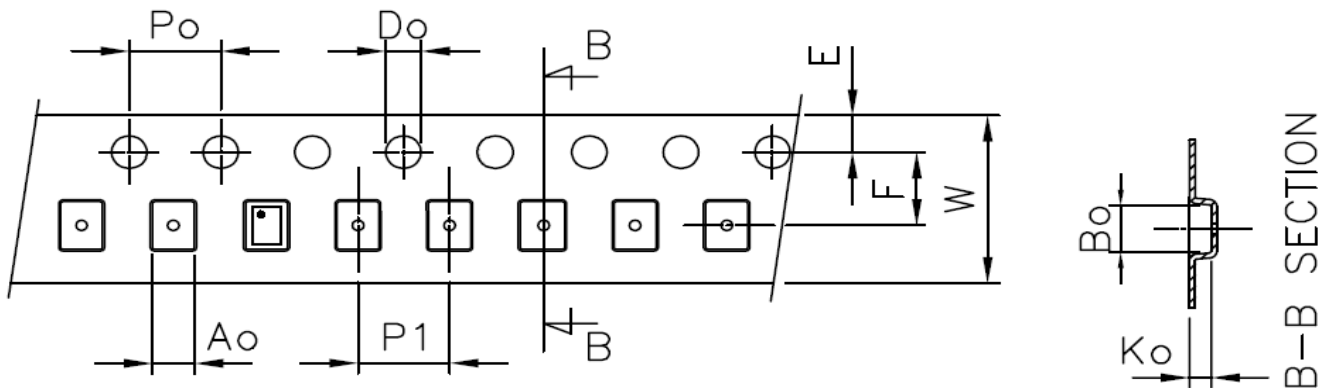


**Tape and Reel Specifications**

Package Type	# of Pins	Nominal Package Size	Units per Reel	Max Units per Box	Reel & Hub Size (mm)	Trailer A		Leader B		Pocket Tape (mm)	
						Pockets	Length (mm)	Pockets	Length (mm)	Width	Pitch
STDFN 14L 1x3mm 0.4P FC	14	1x3x0.55mm	3000	3000	178/60	100	400	100	400	8	4

**Carrier Tape Drawing and Dimensions**

Package Type	Pocket BTM Length [mm]	Pocket BTM Width [mm]	Pocket Depth [mm]	Index Hole Pitch [mm]	Pocket Pitch [mm]	Index Hole Diameter [mm]	Index Hole to Tape Edge [mm]	Index Hole to Pocket Center [mm]	Tape Width [mm]
	A0	B0	K0	P0	P1	D0	E	F	W
STDFN 14L 1x3mm 0.4P FC	1.15	3.15	0.7	4	4	1.5	1.75	3.5	8

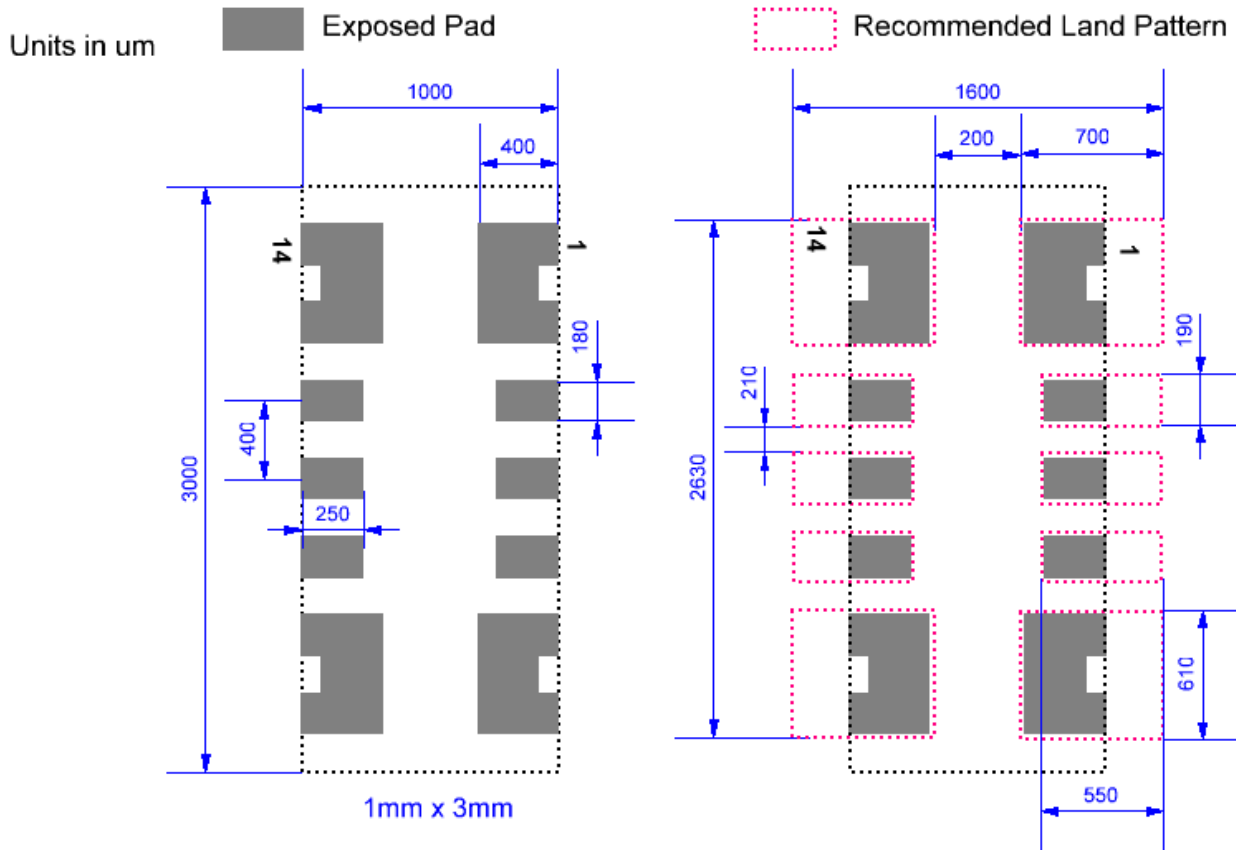


**Recommended Reflow Soldering Profile**

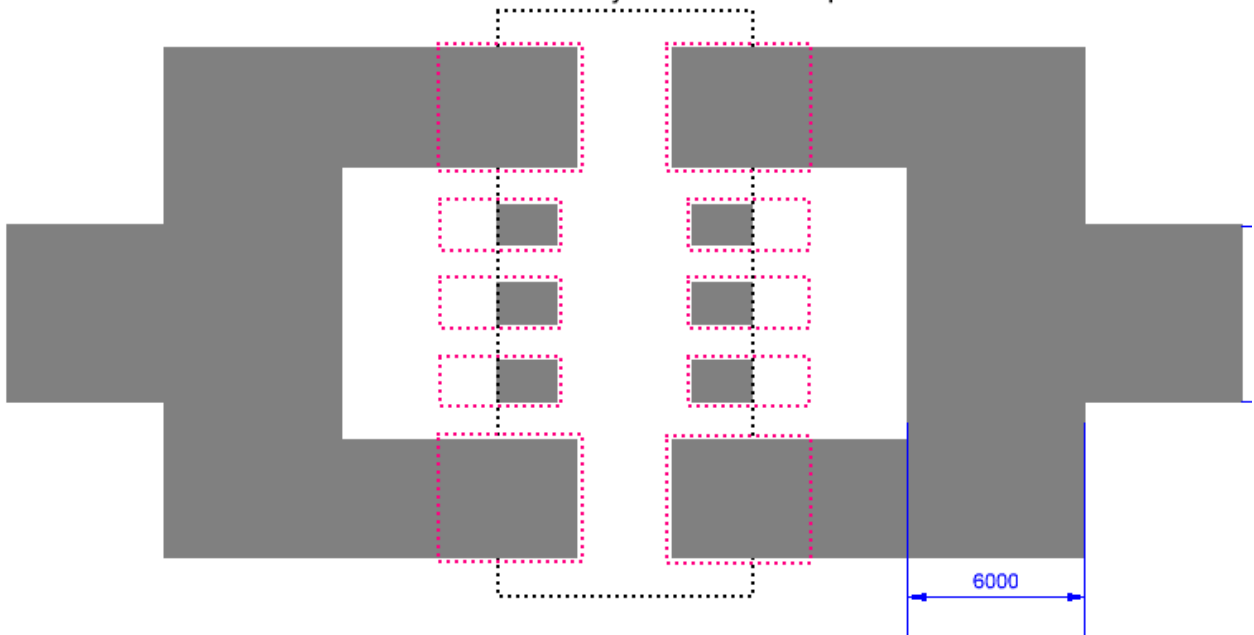
Please see IPC/JEDEC J-STD-020: latest revision for reflow profile based on package volume of 1.65 mm<sup>3</sup> (nominal). More information can be found at [www.jedec.org](http://www.jedec.org).



## Recommended Land Pattern and PCB Layout



Recommended PCB Layout for external power traces





**Revision History**

Date	Version	Change
3/15/2016	1.04	Fixed RDson values