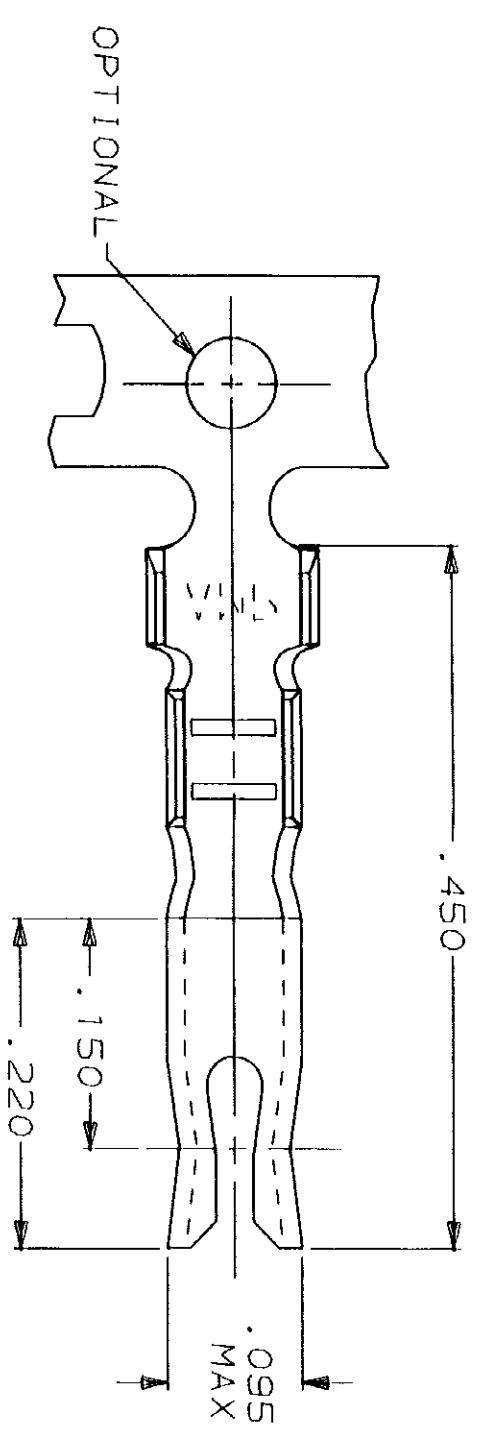
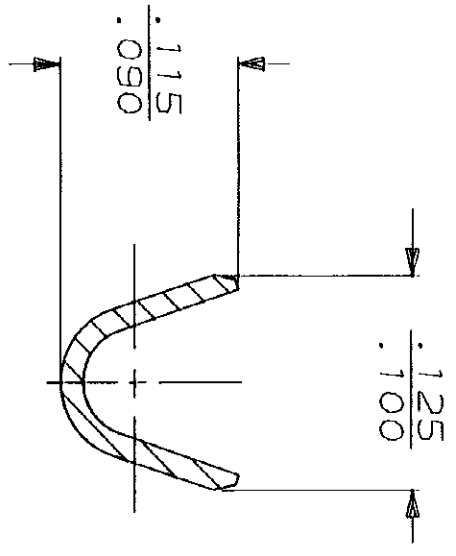
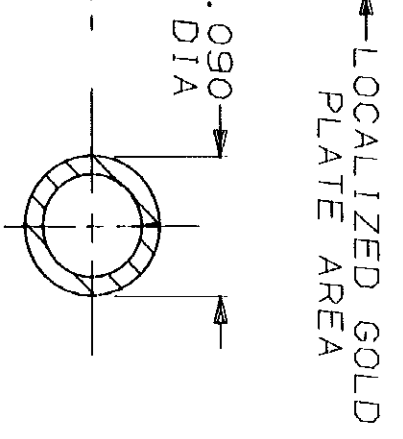
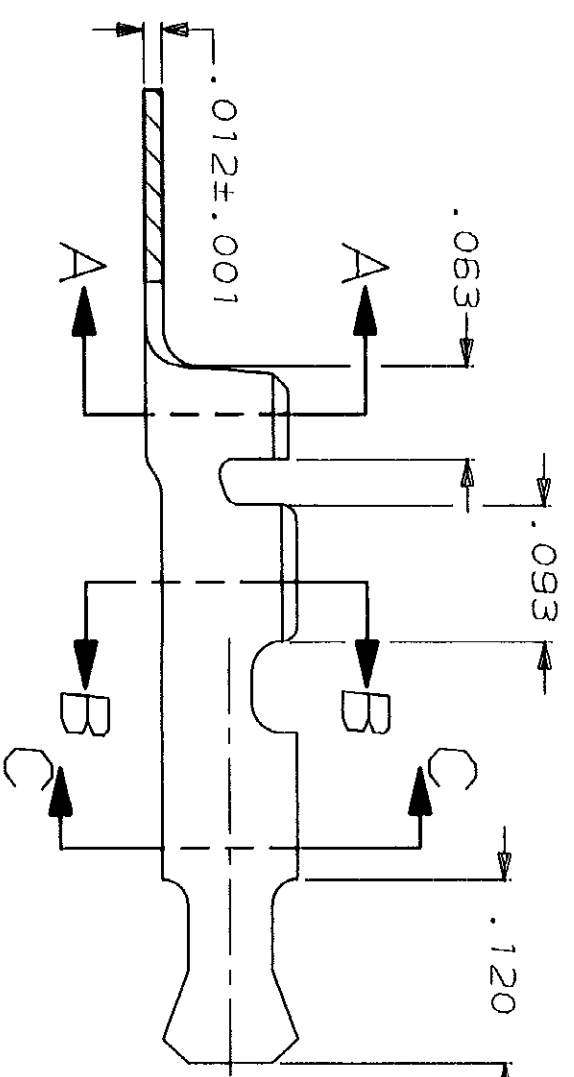


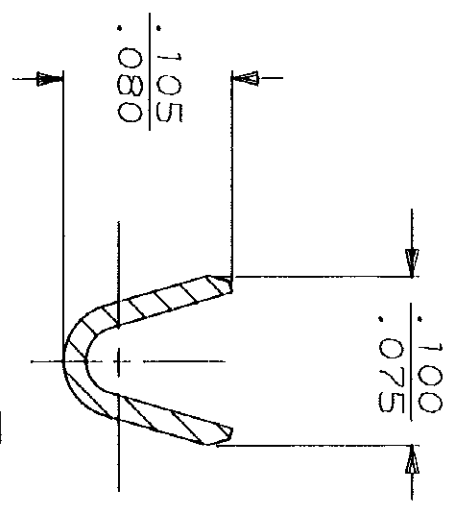
LOC	DIST	F	ZONE	LTR	DESCRIPTION	DATE	APPD
AF	50			E	REV AND REDRAWN PER AF-7225	2/4/91	PF/JR



- 1 CONTINUOUS STRIP ON REELS.
- 2 .000030 MIN GOLD PER MIL-G-45204 IN LOCALIZED GOLD PL AREA, GOLD FLASH ON REMAINDER OVER .000050 MIN NICKEL PER QQ-N-290.
- 3 .000080 MIN TIN PL PER MIL-T-10727.



SECTION A-A
SCALE 10:1



SECTION B-B
SCALE 10:1

DO NOT SCALE PRINT. UNLESS SPECIFIED DIMENSIONS IN INCHES TOLERANCES ON: 2 PLC DEC ± .015 3 PLC DEC ± .015 ANGLES		DR 2/4/91 P FORNEY CHK 2/4/91 JR RUTH APPD 2/4/91 G YETTER APPD 2/4/91 R WEAVILL PRODUCT SPEC		NAME AMP AMP Incorporated Harrisburg, PA 17105-3608	
FINISH #4 HARD PHOS BRONZE SEE TABLE		INSULATION RANGE .048-.071 DIA		WIRE RANGE 24-20 AWG	
FINISH SEE TABLE		PART NO 60885-2 60885-1		DRAWING NO 60885	
RECEPTACLE, PIN, .055 DIA		SCALE 8:1		SHEET 1 OF 1	