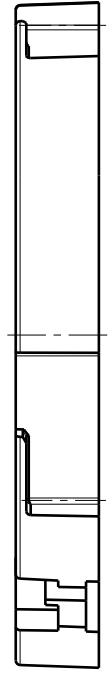
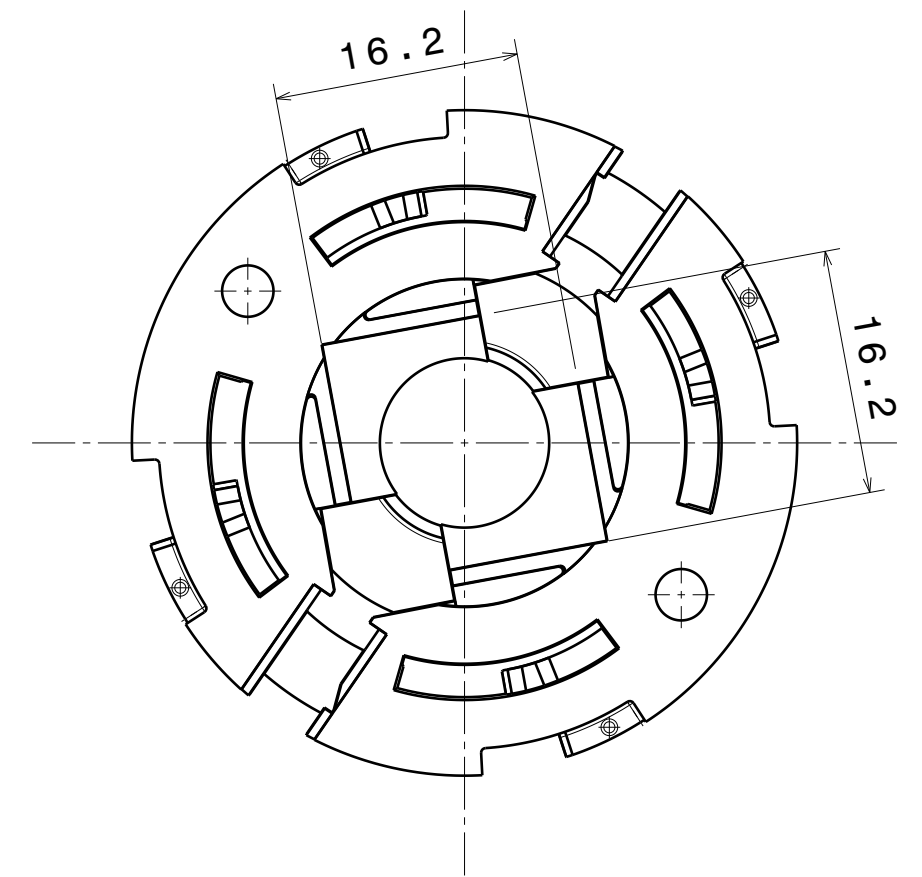
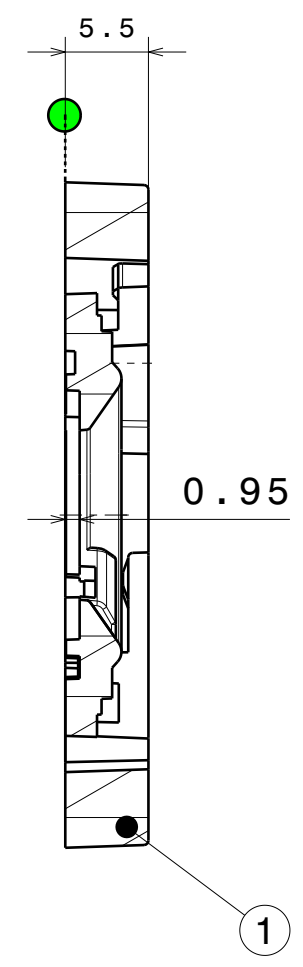
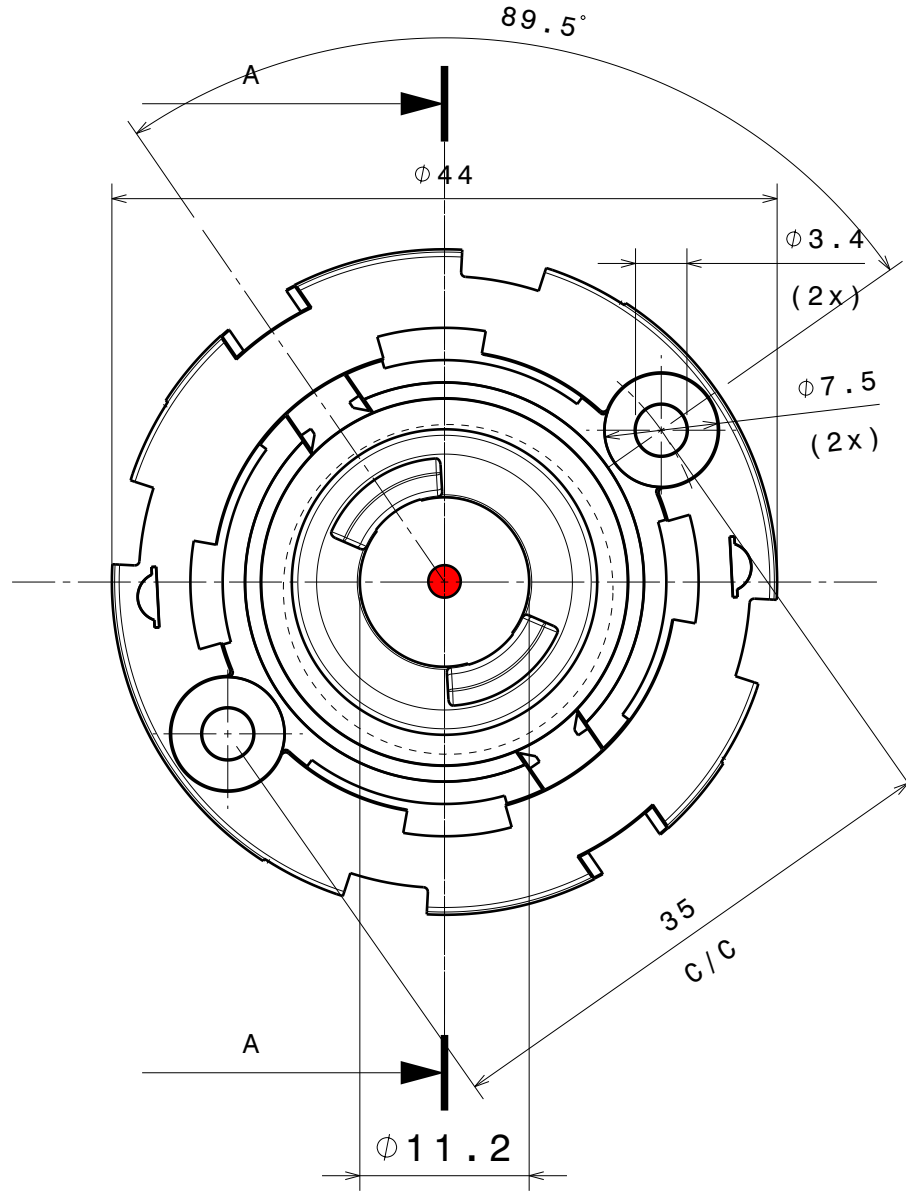


Isometric view (1:1)



**COMPONENTS**

INDEX	PRODUCT	TYPE	MATERIAL	COLOUR/COATING
1	F15256_HEKLA-SOCKET-D	SOCKET	PBT	WHITE

**MECHANICAL DRAWING**

PRODUCT  
KONNTAKT-family



Tolerances if not otherwise shown  
According to DIN ISO 2768-1  
Linear measures:  
Up to 30mm class M, otherwise class C.  
According to DIN ISO 2768-2  
Form and position: class L

FIRST ANGLE PROJECTION:

This drawing is the property of LEDiL Oy. It may not be reproduced, copied or communicated without a written agreement with LEDiL Oy.

SCALE	2:1 (1:1)	SIZE	A3	SHEET	1
-------	-----------	------	----	-------	---

**Notes**

	1	PCB or Heat Sink level
	2	Led location see marking.
	3	Ensure LED fitting, see our web site and/or 3D model for part detail.
	4	See installation details FP15502